



# MGX CHARGER

# Banner

## Banner MGX Charger - the universal talent

The Banner MGX charger is a proven industrial charger that is used worldwide in the cleaning sector.

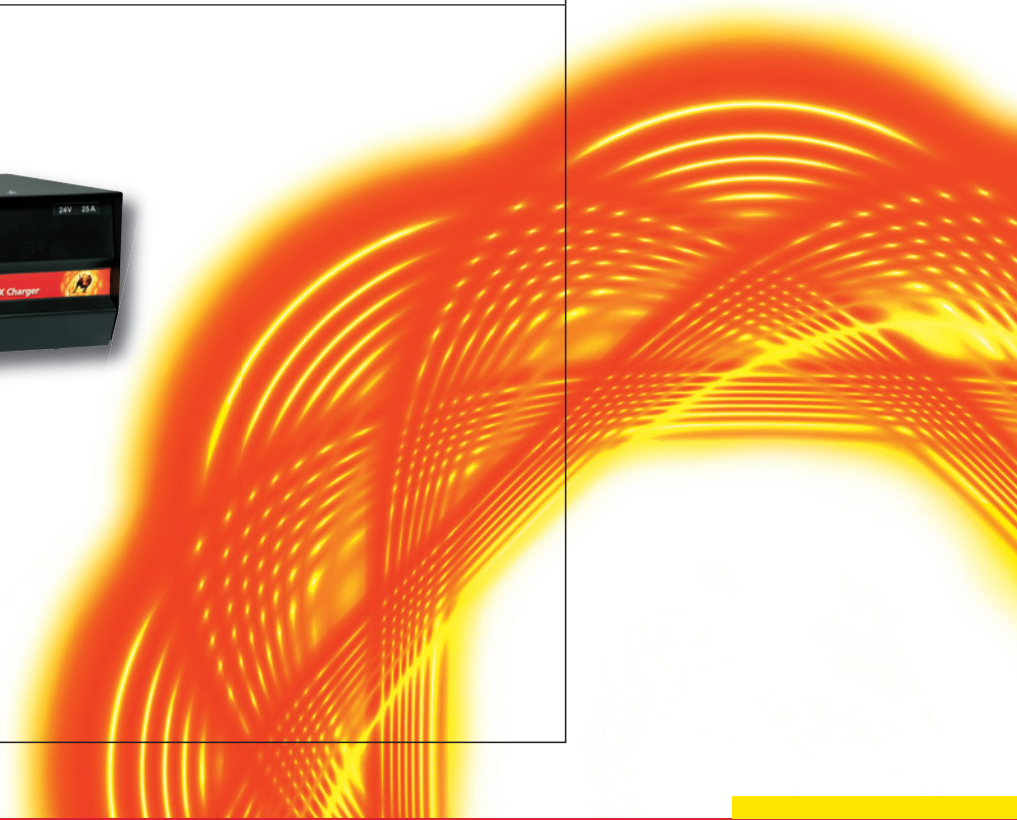
Numerous cleaning machine manufacturers are already using the Banner MGX charger.

### Areas of application

- Cleaning machines
- Wheelchairs
- E-scooters
- Vehicles for handicapped persons
- Etc.

### Features

- Simple, automatic charging, following battery connection
- Flexible, for both GEL and lead-acid batteries (programmable with the Multiprogrammer from the Banner accessories programme)
- Data memory
- Charge retention, switching after full charging
- Compensation for mains current fluctuations (min. 185V – max. 250V)





# MGX CHARGER

# Banner

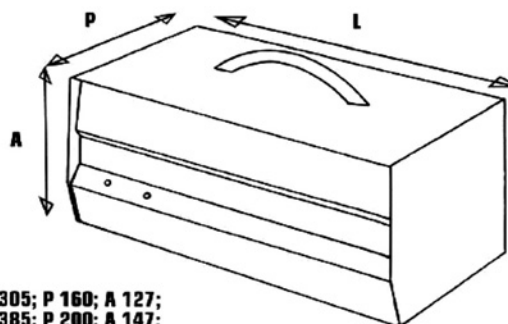
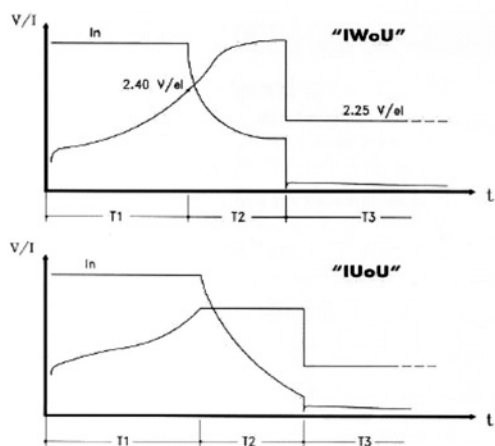
Initial voltage [V]	IWoU characteristic Wet battery charging time 10-12h 80% discharged	IWoU characteristic Gel battery charging time 11-13h 70% discharged	Output current [A]	Mains voltage [V]	Mains fuse [A]	Box	Weight in kg	Charger type	Article No
12V	50-60	30-50	5	185/265	0,6	A	4,8	MGX 1205	0435013500
	70-90	60-70	7	185/265	1	A	5,1	MGX 1207	0435013600
	100-120	80-100	10	185/265	1,3	A	5,6	MGX 1210	0435013700
	130-180	110-150	15	185/265	1,9	A	6,2	MGX 1215	0435013900
	190-240	160-200	20	185/265	2,5	A	10,6	MGX 1220	0435013900
	250-300	210-250	25	185/265	3,1	B	12	MGX 1225	0435014000
24V	50-60	30-50	5	185/265	1,3	A	4,5	MGX 2405	0435014100
	70-90	60-70	7	185/265	1,9	A	5,2	MGX 2407	0435014200
	100-120	80-100	10	185/265	2,5	A	7,4	MGX 2410	0435014300
	130-180	110-150	15	185/265	3,7	A	9,1	MGX 2415	0435014400
	190-240	160-200	20	185/265	5	A	12	MGX 2420	0435014500
	250-300	210-250	25	185/265	6	B	13,8	MGX 2425	0435014600
36V	190-240	160-200	20	185/265	7,4	B	15,8	MGX 3620	0435014700
	250-300	210-250	25	185/265	9,3	B	18,6	MGX 3625	0435014800
48V	130-180	110-150	15	185/265	7,4	B	19,5	MGX 4815	0435014900
	190-240	160-200	20	185/265	9,9	B	21	MGX 4820	0435015000

Multiprogrammer for changing of characteristic 0435015500

**Important additional information:**

Charging time data can vary between +/- 0.5h.  
 All charging times at an ambient temperature of 27°C.  
 Changes to the technical specifications without prior warning are possible.

Box type	Dimensions [mm]		
	Height	Length	Depth
A	127	305	160
B	147	385	200



Presented by:

**A:** Banner GmbH, A-4021 Linz, Banner Straße 1,  
 Tel. 0732/3888-0, Fax 0732/3888-21598, e-mail: office@bannerbatterien.com

**GB:** Banner Batteries (GB) Ltd., Units 5-8 Canal View Business Park, Wheelhouse Road, Rugeley,  
 Staffordshire WS15 1UY, Tel. +44/ (0)1889/ 57 11 00, Telefax +44/ (0)1889/ 57 73 42,  
 e-mail: office.bgb@bannerbatteries.com